

## COMTREND MODEM GUIDE

### Items in the Box:

Comtrend Modem



RJ45 (Ethernet) Cable



RJ11 (Phone line) Cable



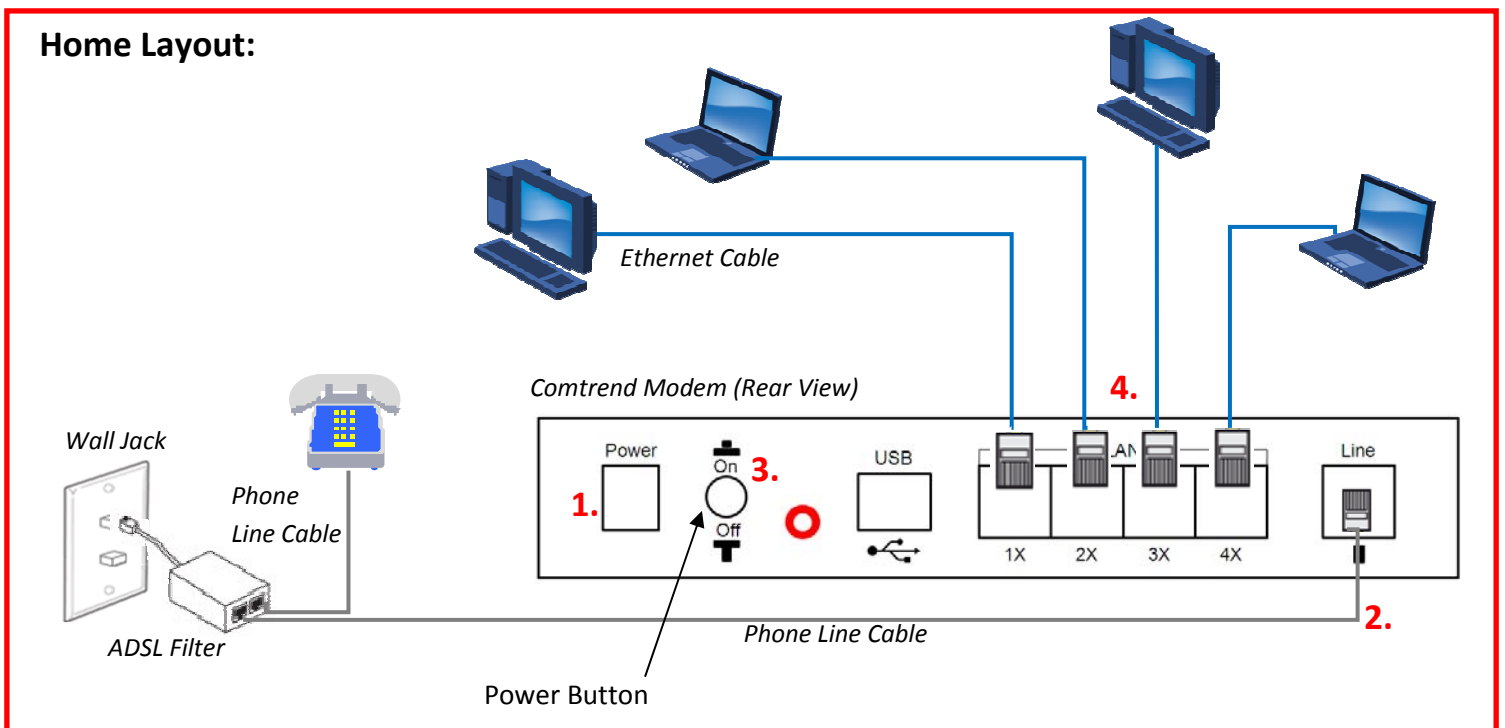
AC Adapter



ADSL filter



### Home Layout:



### Instructions:

1. Plug in the AC Adapter into the port labeled "Power." Plug the AC Adapter into the outlet.
2. Plug in the ADSL filter into the wall jack. Plug in one end of the phone line cable into the Comtrend modem port labeled "Line." Plug in the other end of the phone line cable into the ADSL filter port labeled "ADSL".
3. Turn on the modem by pushing the "Power Button." Please wait 10-15 minutes for the modem to successfully boot-up.
4. Connect your computer, hub, or any other LAN device to the modem with the use of an ethernet cable. Plug in one end of the ethernet cable into any of the ports labeled "LAN." You may connect up to four (4) LAN devices to the modem.